



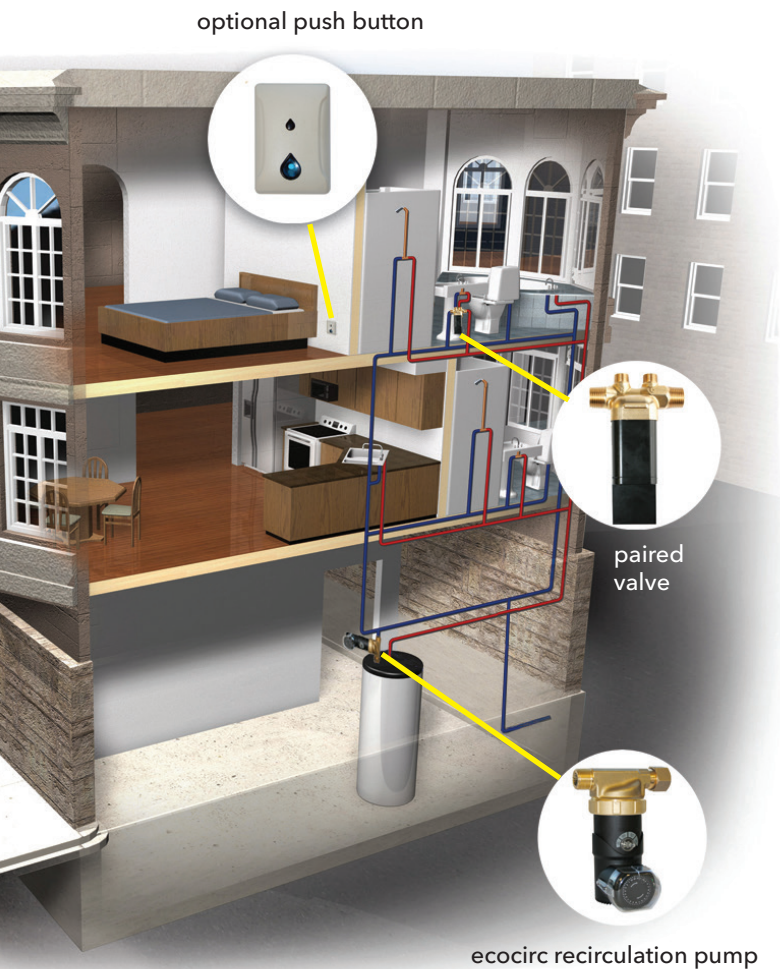
ecocirc[®] wireless

Potable Hot Water Recirculation Kit

A-439B

 **Bell & Gossett**
a xylem brand

The Bell & Gossett® ecocirc wireless Potable Hot Water Recirculation Kit



optional push button

paired valve

ecocirc recirculation pump

Features

- ecocirc series pump with energy efficient ECM based permanent magnet motor
- Operates on as little as 20 watts
- Operated via wireless communication
- Temperature and Timer controlled
- Optional Push Button Start
- Valve operates using two AA batteries
- No electrical outlet required under the sink
- No recirculation line needed

Wait no more...hot water when and where you need it! The ecocirc wireless is a hot water recirculation kit (recirculation pump and paired valve) for instant supply of hot water throughout the entire house. Introduction of ecocirc wireless is a major step forward in B&G's efforts in providing Smart Hydronic Systems.

Now you can have hot water in your home where and when you want it. No more waiting with the ecocirc wireless system. The pump and paired valve wirelessly communicate temperature data. The ecocirc pump is installed on the supply side of the hot water source and the valve under the sink farthest from the hot water source.

How it works

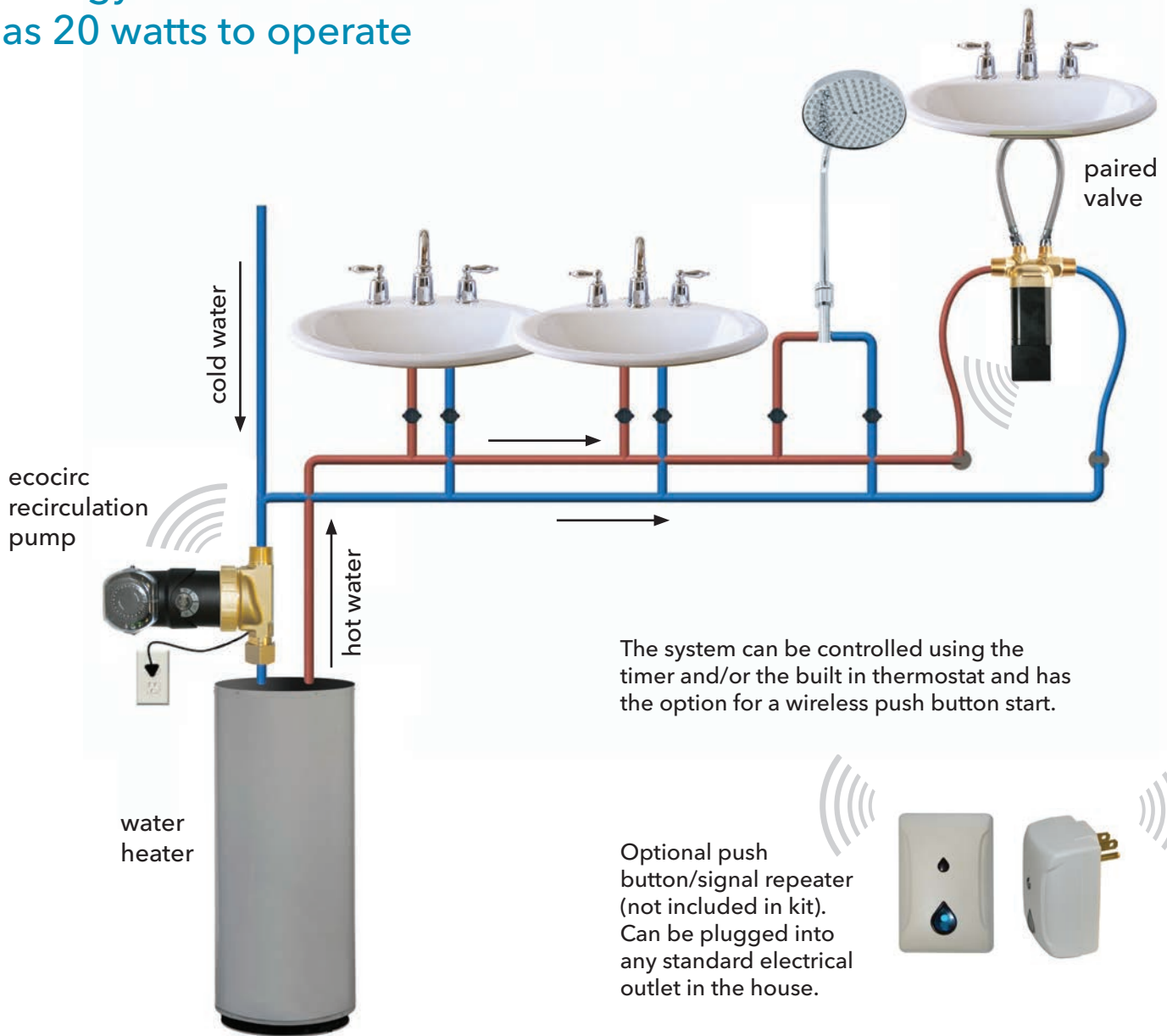
The desired water temperature at the valve is set remotely with the thermostat dial on the pump. A signal is sent to the ecocirc pump to begin circulating hot water throughout the system. The valve tempers the cold water at the faucet/tap, providing instant hot water. When the set temperature is reached, a signal is sent to turn off the pump. This prevents continuous pump operation, thus saving energy. For additional energy savings, the pump can be set on timer based operation, to allow it to run only during time periods when hot water demand is high.

Saves time and money

The ecocirc wireless pump requires as little as 20 watts to operate. The instant hot water delivery with the ecocirc wireless kit saves water and time. An optional push-button/signal repeater device is available to provide instant hot water with a touch of a button.

Push button operation overrides the timer operation and continues until the desired temperature is met at the valve. Acting in its secondary function, the signal repeater extends the range of data transmission between the pump and valve.

Energy efficient - Uses as little as 20 watts to operate



The system can be controlled using the timer and/or the built in thermostat and has the option for a wireless push button start.

Optional push button/signal repeater (not included in kit). Can be plugged into any standard electrical outlet in the house.



Operating Data

Maximum Operating Temperature: 203°F (95°C)
Maximum Operating Pressure: 145 psi (10 Bar)
Power Supply: 115 V/1 Ph/ 60 Hz
Power Input: 20 Watts
Operating Current: 0.3 Amps
Motor RPM: 4800
Operating Noise Level: 30dB
Batteries: 2 AA Alkaline
Estimated Battery Life: 2 years
Maximum Transmitter Range: 150 ft (45 meters)

Materials of Construction

Pump

Body: Lead Free* Brass
Seals: EPDM
Impeller: Nylon/PPO
Internals: 316 Stainless Steel
Check Valve: Acetal Plastic

Paired Valve

Body: Lead Free* Brass
Springs: Stainless Steel
Valve Insert: Acetal Plastic
Seals: EPDM
Transmitter Housing: ABS Plastic



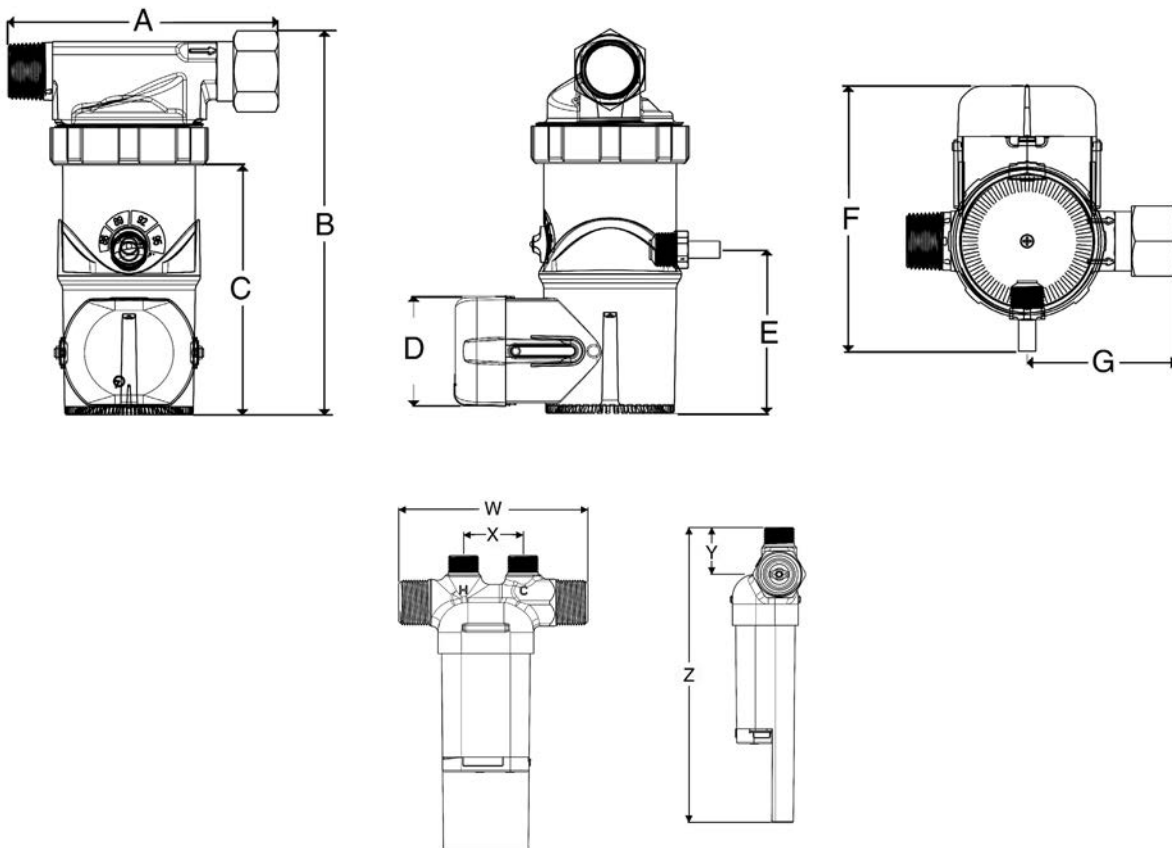
* CSA certified to NSF/ANSI 372 that product contains less than 0.25% lead content by weight on wetted surfaces.

ecocirc wireless Hot Water Recirculation Kit

Dimensions and Weight

Model Number	Part Number	Connection
ecocirc wireless kit	6050B4000	Pump: 3/4" M/F NPT Valve: 1/2" MNPT x 3/8" compression
push button/signal repeater	6099B1500	Standard 115V Power Outlet

Dimension Inches (mm)											Shipping WT. LBS. (kg)
A	B	C	D	E	F	G	W	X	Y	Z	
4.84 (123)	6.87 (174.6)	4.47 (113.5)	1.97 (50.1)	2.93 (74.4)	4.74 (120.5)	2.68 (68)	3.5 (89)	1.1 (28)	0.87 (22)	5.45 (138.5)	3.9 (1.8)



Xylem Inc.
8200 N. Austin Avenue
Morton Grove, Illinois 60053
Phone: (847) 966-3700
Fax: (847) 965-8379
www.bellgossett.com

Bell & Gossett is a trademark of Xylem Inc. or one of its subsidiaries.
© 2014 Xylem Inc. A-439B November 2014



4390 Paletta Court, Unit M, Burlington, ON L7L 5R2
Phone: 1.866.594.0767 • Fax: 905.637.8655
www.aquatech-canada.com